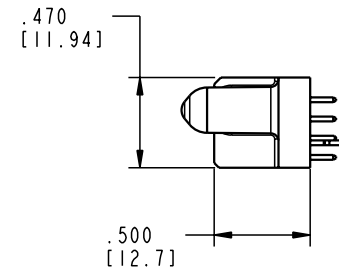
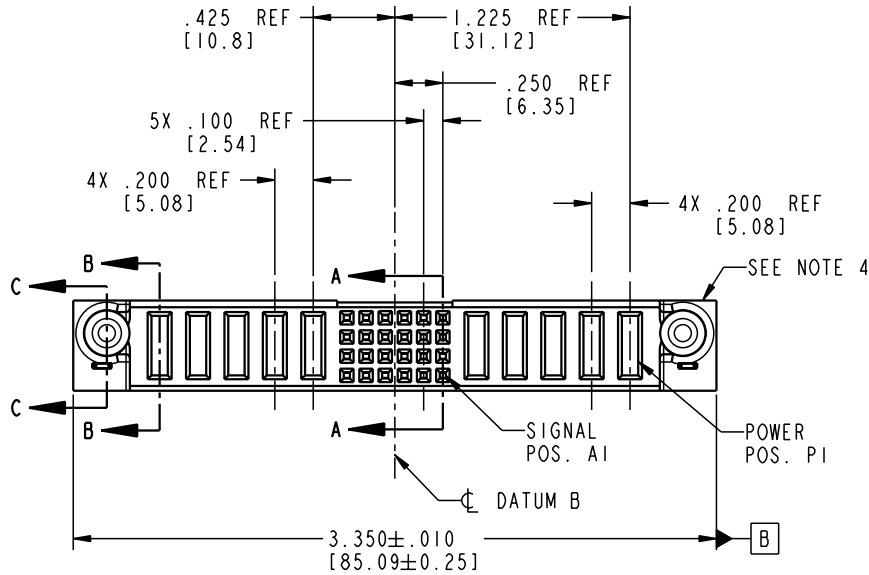


Tous droits strictement réservés. Reproduction ou communication o des liens interdite sous quelque forme que ce soit sans autorisation écrite du propriétaire. Propriete de c FCI. Droits de reproduction FCI.

FCI

All rights strictly reserved. Reproduction or issue to third parties in any form whenever is not permitted without written authority from the proprietor. Property of FCI. Copyright FCI.

PRODUCT NO.	ROWS	POWER					SIGNAL					POWER						
		E2	P10	P9	P8	P7	P6	6	5	4	3	2	1	P5	P4	P3	P2	P1
51940-068	D C B A																	



CODE	DIM "M" MATING LENGTH	CONTACT TYPE
E	N/A [N/A]	SIGNAL
PA	.042 [1.07]	POWER
HA	N/A [N/A]	HOLD-DOWN

mat'l code				SEE NOTE 2		tolerances unless otherwise specified		CUSTOMER		FCI www.fciconnect.com	
ltr	ecn no.	dr	date	linear	.XX±.01/0.X±0.3		COPY		title		
A	V03-1267	TAB	12/01/03		.XXX±.005/0.XX±0.13		projection		5P + 24S + 5P		
					.XXX±.0020/0.XX±0.051		INCH/MM		VERTICAL SOLDER RECEPT		
				angles	° ± °		scale		product family		code
				dr	T. BRUNGARD	12/01/03	1:1		PwrBlade		213
				engr	M. GRAY	12/01/03			size		sheet
				chr	M. GRAY	12/01/03			dwg no		1 of 4
				appd	M. GRAY	12/01/03			A 51940-068		
sheet index	revision sheet	A	A	A	A						
		1	2	3	4						

1 | 2

Pro/E

3 |

cage code 22526

4

PDM: Rev:A

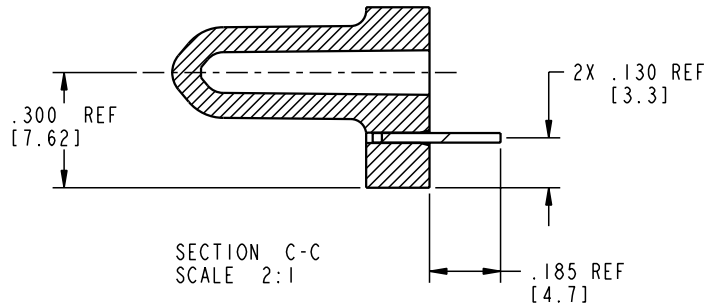
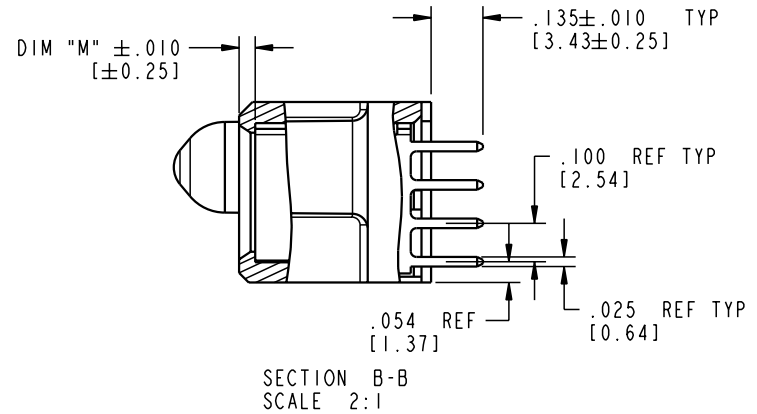
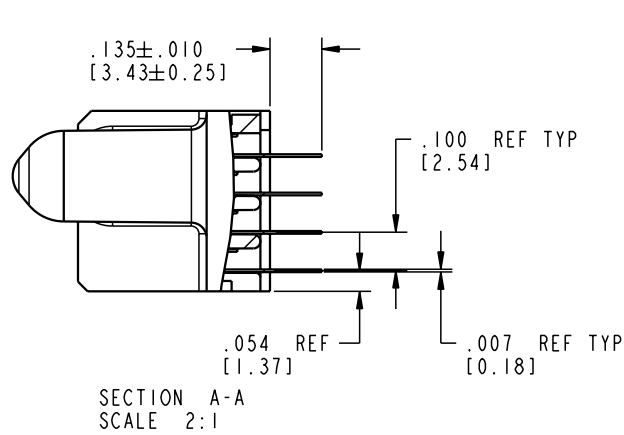
STATUS: Released

Printed: Aug 14, 2007

Tous droits strictement reserves. Reproduction ou communication a des tiers interdite sous quelque forme que ce soit sans autorisation écrite du propriétaire. Propriete de c FCI. Droits de reproduction FCI.

All rights strictly reserved. Reproduction or issue to third parties in any form whatever is not permitted without written authority from the proprietor. Property of FCI. Copyright FCI.

PRODUCT NUMBER
51940-068



mat'l code				SEE NOTE 2		tolerances unless otherwise specified		CUSTOMER		 www.fciconnect.com	
ltr	ecm no.	dr	date	linear	.XX±.01/0.X±0.3		COPY		title		
A					.XXX±.005/0.XX±0.13		projection		5P + 24S + 5P		
					.XXXX±.0020/0.XXX±0.051				VERTICAL SOLDER RECEIPT		
				angles	0° ± 2°		INCH/MM		product family		code
				dr	T. BRUNGARD	12/01/03	scale		PwrBlade		213
				engr	M. GRAY	12/01/03	1:1		size		sheet
				chr	M. GRAY	12/01/03			A		51940-068
				appd	M. GRAY	12/01/03					2 of 4
sheet index		revision sheet									

Pro/E

cage code 22526

PDM: Rev:A

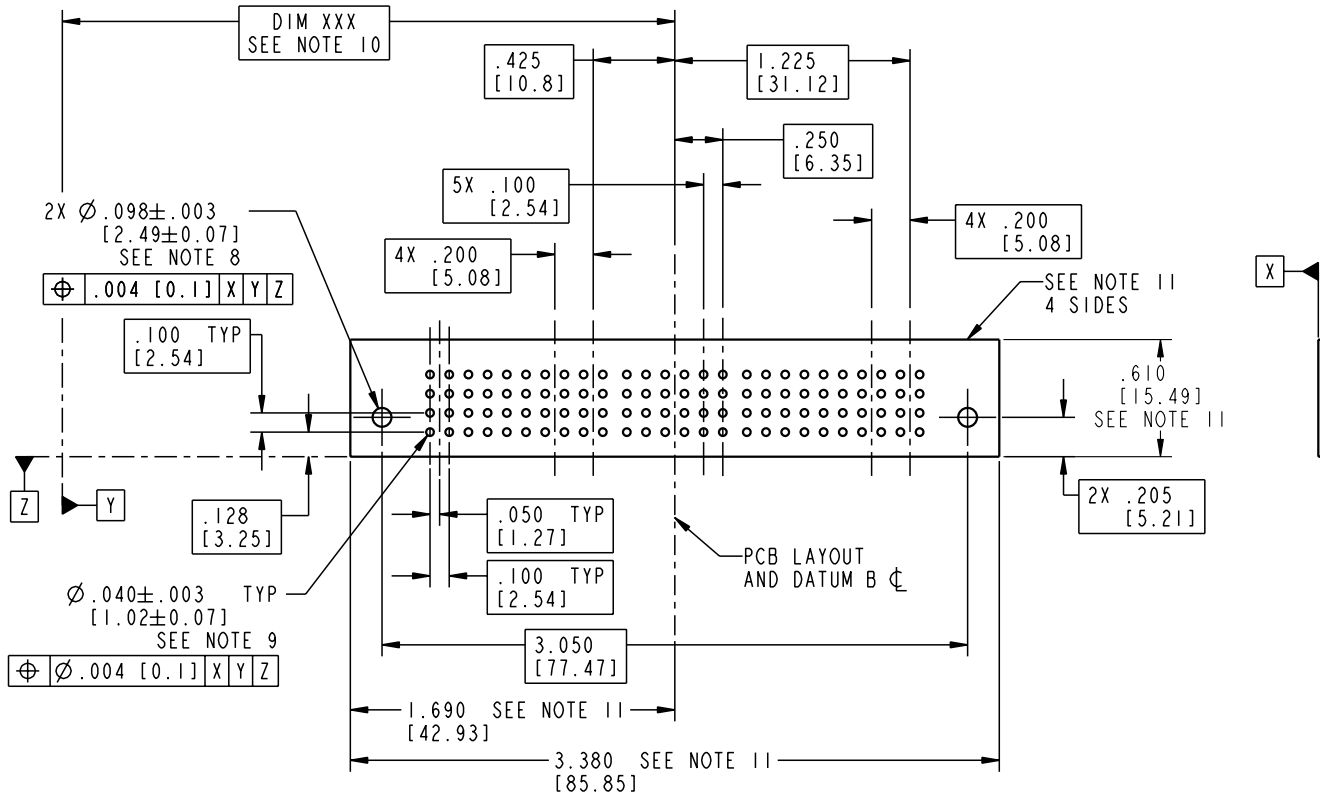
STATUS: Released

Printed: Aug 14, 2007

Tous droits strictement réservés. Reproduction ou communication o des tiers interdite sous quelque forme que ce soit sans autorisation écrite du propriétaire. Propriete de c FCI. Droits de reproduction FCI.

All rights strictly reserved. Reproduction or issue to third parties in any form, whatever is not permitted without written authority from the proprietor. Property of FCI. Copyright FCI.

PRODUCT NUMBER
51940-068



mat'l code		SEE NOTE 2		tolerances unless otherwise specified		CUSTOMER		 www.fciconnect.com	
ltr	ecn no.	dr	date	linear	.XX±.01/0.X±0.3	COPY		title	
A				projection	.XXX±.005/0.XX±0.13			5P + 24S + 5P	
				angles	.XXX±.0020/0.XXX±0.051			VERTICAL SOLDER RECEIPT	
				dr	T. BRUNGARD 12/01/03	INCH/MM		product family	
				enr	M. GRAY 12/01/03	scale		PwrBlade	
				chr	M. GRAY 12/01/03	1:1		code	
				appd	M. GRAY 12/01/03			213	
sheet index		revision sheet						size	
								dwg no	
								A 51940-068	
								sheet	
								3 of 4	

cage code 22526

Pro/E

PDM: Rev:A

STATUS: Released

Printed: Aug 14, 2007

Tous droits strictement réservés. Reproduction ou communication o des tiers interdite sous quelque forme que ce soit sans autorisation écrite du propriétaire. Propriete de c FCI. Droits de reproduction FCI.

A
FCI

All rights strictly reserved. Reproduction or issue to third parties in any form, whatever is not permitted without written authority from the proprietor. Property of FCI. Copyright FCI.

B

PRODUCT NUMBER
51940-068

NOTES:

1. DIMENSIONS AND TOLERANCES ARE IN ACCORDANCE WITH ASME Y14.5M, 1994 UNLESS OTHERWISE SPECIFIED.

CONNECTOR NOTES:

2 HOUSING MATERIAL: UL 94 V-0 GLASS FILLED

HIGH-TEMP THERMOPLASTIC
POWER CONTACT MATERIAL: COPPER ALLOY
SIGNAL PIN MATERIAL: COPPER ALLOY

3. PLATING:

SIGNAL PINS: 30u"/0.76um Au OVER 50u"/1.27um Ni
POWER CONTACTS: 50u"/1.27um Ni UNDER ALL WITH 30u"/0.76um Au ON CONTACT AREA AND SnPb ON PCB INTERFACE

4 MANUFACTURER'S NAME, P/N, AND DATE CODE TO APPEAR ON THIS SURFACE.

5. PRODUCT SPECIFICATION GS-12-149.
APPLICATION SPECIFICATION BUS-20-067.

6. PACKAGED IN TRAYS.

PCB NOTES:


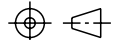
7. ALL HOLE DIAMETERS ARE FINISHED HOLE SIZE.

8 MOUNTING HOLES, WHERE APPLICABLE, ARE UNPLATED.

9 $\varnothing .0453 \pm .0010$ [1.151 \pm 0.025] DRILLED HOLES PLATED WITH .0003 [0.008] MIN SnPb OVER .001 [0.03] TO .003 [0.08] Cu PLATING TO ACHIEVE $\varnothing .040 \pm .003$ [1.02 \pm .07] HOLE.

10 "DIM XXX" TO BE DETERMINED BY THE CUSTOMER.

11 CONNECTOR KEEP-OUT ZONE.

mat'l code				SEE NOTE 2		tolerances unless otherwise specified		CUSTOMER		 www.fciconnect.com	
ltr	ecn no.	dr	date	linear	.XX±.01/0.X±0.3		COPY		 title 5P + 24S + 5P VERTICAL SOLDER RECEPT		
A					.XXX±.005/0.XXX±0.13		INCH/MM				
				angles	.XXX±.0020/0.XXX±0.051		scale 1:1		size		sheet 4 of 4
				dr	T. BRUNGARD 12/01/03				A		51940-068
				enr	M. GRAY 12/01/03						
				chr	M. GRAY 12/01/03						
				appd	M. GRAY 12/01/03						
sheet index		revision sheet									

A

B

1 | 2

3 |

4

1 | 2

Pro/E

3 |

cage code 22526

4

PDM: Rev:A

STATUS: **Released**

Printed: Aug 14, 2007